

BUCKET ELEVATORS





More Sweet® Features

Rubber Belting

Engineered to exact strength (PIW) requirements
Static conducting, oil and fire resistant rubber belt
PVC belting optional

Heavy-Gauge Trunking

Provides structural support at all discharge heights
Continuous weathertight lockseam construction standard
Bolted construction optional

Crown-Face Drum/ Elevator Boot Pulley

Slotted wing-style, self-cleaning pulley optional

Screw Take-Ups

For easy belt adjustment (gravity take-ups – Titan Series standard, all other models optional)

Heavy-Duty Flange Bearings

No bearing seals are exposed to interior of boot
Pillow block with split housings
Spherical roller bearings on Titans

UHMW Bearing Seal Plate

Reinforced Boot Sides

“The Quality Line”

Galvanized Trunking Flanges

Welded in a precise fixture for cost savings in erection
Trunk sections stack straight

Safety Labels

Appropriately applied throughout the bucket elevator

Sweetheart™ Steel or High-Density Polyethylene or Injection Molded Nylon and/or Polyurethane Buckets Available

Accurate capacity ratings

Sectional Service Panels (Atom Through Ace II)

Allow easy authorized access for belt and bucket maintenance
Four modular 2' panels, front and rear

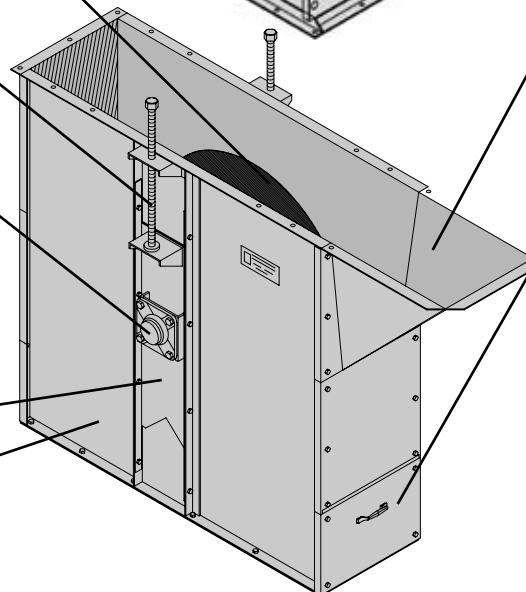
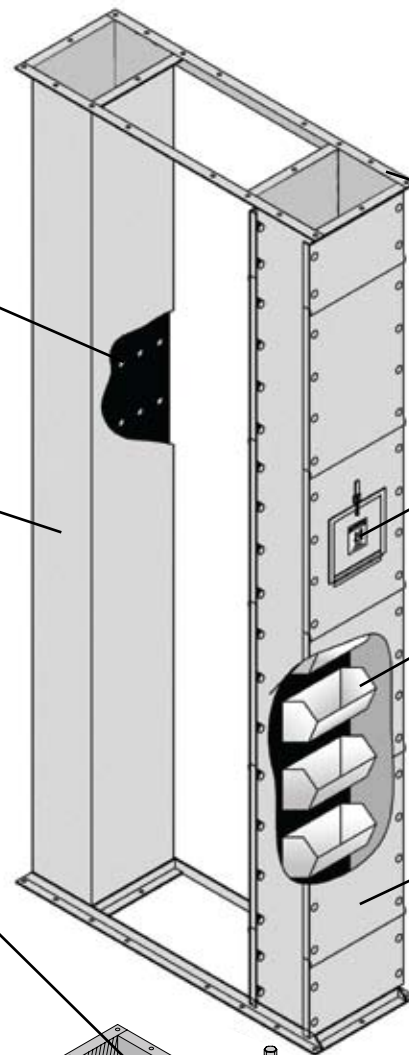
Tapered Boot Hopper

Properly directs flow for maximum bucket fill with 10GA galvanized liner or other optional liners

Boot Clean-Out

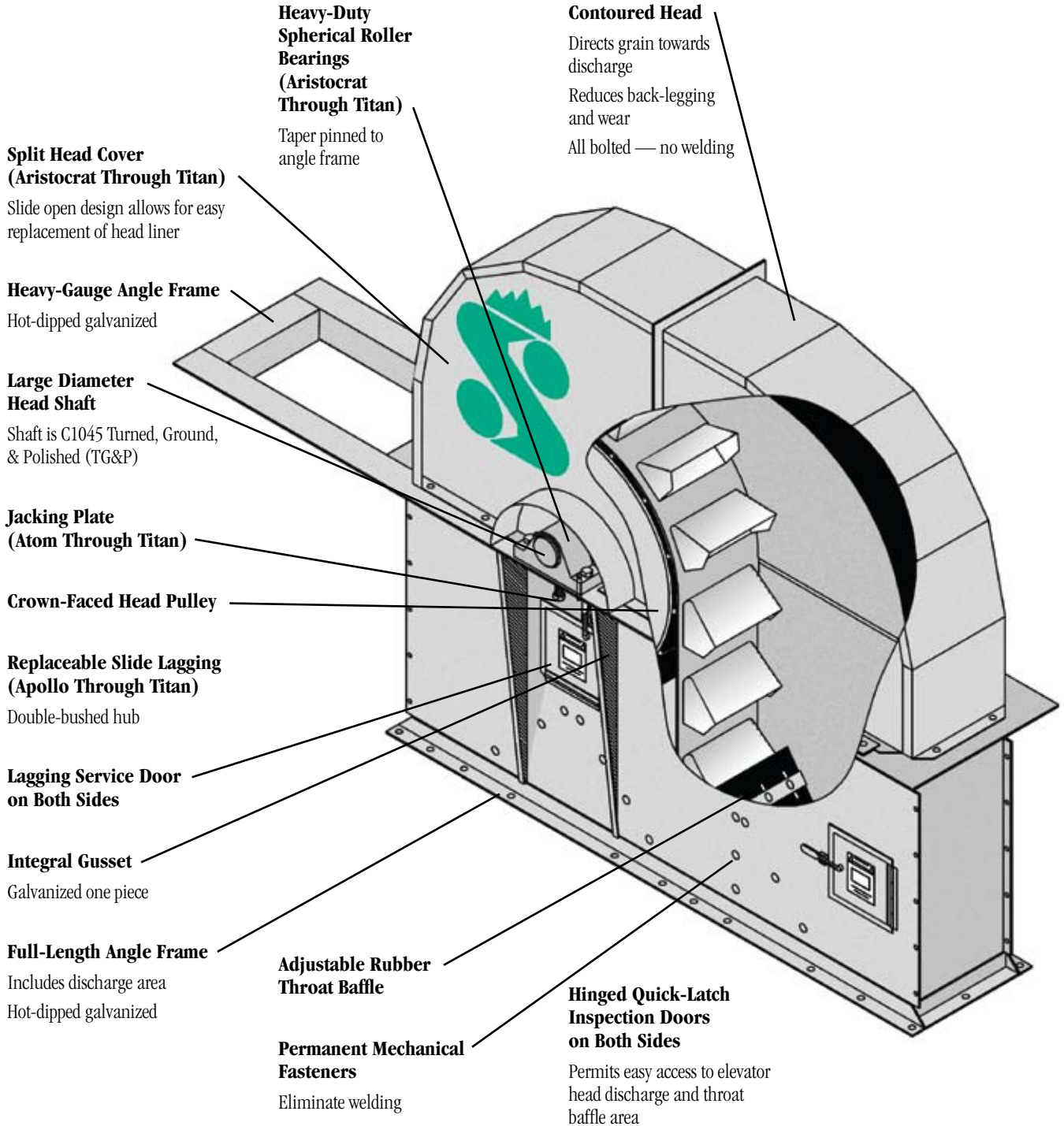
Provide easy access and clean-out

Always the Best Value



Why Specify Silver-Sweet® Galvanized Bucket Elevators

Compare the Features





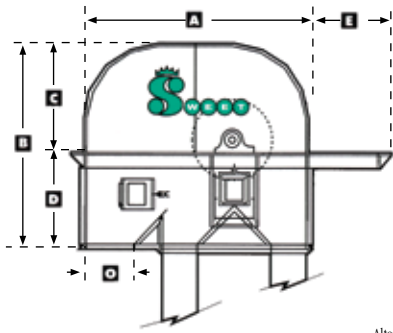
Standard Specifications — Silver-Sweet® Bucket Elevators

Model	Class	Casing	Box	A	B	C	D	E	F	G	H	I	J	K	L	M	O	P	Q
BANTAM I	0	8 x 16	—	27	24	12	12	11	8	—	—	16	24	11	6.5	14	8	8	6
ATOM I	I	9 x 26	9 x 8	44	38	24	14	20	9	8	10	26	32	12	7	20	9	13	9
ATOM II	I	9 x 26	9 x 8	44	38	24	14	20	9	8	10	26	32	12	7	20	9	13	9
BANTAM II	I	12 x 26	12 x 8	46	42	23	19	22	12	8	10	26	32	14	10	20	12	14	8
APOLLO I	II	12 x 34	12 x 9	55	47	28	19	24	12	9	16	34	39	15	10	24	12	15	8
APOLLO II	II	12 x 34	12 x 9	55	47	28	19	24	12	9	16	34	39	15	10	24	12	15	8
APOLLO III	II	12 x 34	12 x 9	55	47	28	19	24	12	9	16	34	39	15	10	24	12	15	8
DUKE II	III	14 x 42	14 x 10	66	59	32	27	35	14	10	22	42	44	16	10	28	14	17	10
PRINCE	IV	14 x 48	14 x 10	75	69	37	32	32	14	10	28	48	48	18	10	30	14	20	10
QUEEN	IV	14 x 48	14 x 10	75	69	37	32	32	14	10	28	48	48	18	11	30	14	20	10
KING	IV	17 x 48	17 x 10	75	69	37	32	32	17	10	28	48	48	18	13	30	17	18	10
KING II	IV	20 x 48	20 x 10	75	69	37	32	32	20	10	28	48	48	18	16	30	17	18	10
ACE I	V	17 x 56	17 x 11	87	99	52	47	32	17	11	34	56	56	20	13	36	17	22	10
ACE II	V	20 x 56	20 x 11	87	99	52	47	32	20	11	34	56	56	20	16	36	17	22	10
MONARCH	VI	20 x 68	20 x 14	100	102	57	45	—	20	14	40	68	72	20	15	54	20	22	12
TITAN 10	VI	20 x 68	20 x 14	100	102	57	45	—	20	14	40	68	76	20	15	54	20	22	12
TITAN 15	VI	28 x 68	28 x 14	100	102	57	45	—	28	14	40	68	76	20	22	54	20	22	12
TITAN 20	VI	34 x 68	34 x 14	100	102	57	45	—	34	14	40	68	76	20	28	54	20	22	11
TITAN 25	VI	40 x 68	40 x 14	100	102	57	45	—	40	14	40	68	76	20	34	54	20	22	11
TITAN 30	VI	52 x 68	52 x 14	100	102	57	45	—	52	14	40	68	76	20	44	54	20	22	11
TITAN 40	VI	66 x 68	66 x 14	100	102	57	45	—	66	14	40	68	76	20	58	54	20	22	11
TITAN 50	VI	80 x 68	80 x 14	100	102	57	45	—	80	14	40	68	76	20	72	54	20	22	11

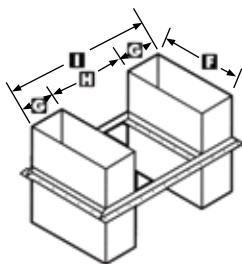
Capacities at a Glance

Series	Model	Pully dia.	Bucket Size	N Spacing	Cap bu/hr	Cap Cu.ft./hr	MTPH	FPM Belt Speed	Pully RPM	Guage Head Liner	Guage Head	Guage Boot	Guage Legging
BANTAM	BANTAM I	4.5"	6 x 4	5	350-700	435-875	9-18	110-220	80-160	na	12	12	16*
	BANTAM II	11"	9 x 5	6	1000-2000	1250-2480	25-51	155-310	54-108	12	12	12	16**
ATOM	ATOM I	11"	6 x 4	6	800-1000	1000-1250	20-25	326	113	12	14	12	16***
	ATOM II	11"	6 x 5	6	1200-1500	1500-1875	30-38	326	113	12	14	12	16***
APOLLO	APOLLO I	18"	9 x 5	12	1400-1600	1750-2000	36-41	448	95	10	12	12	14†
	APOLLO II	18"	9 x 5	9	2000-2200	2500-2750	51-56	448	95	10	12	12	14†
	APOLLO III	18"	9 x 5	6	3000-3200	3750-4000	76-81	448	95	10	12	12	14†
ARISTOCRAT	DUKE II	24"	9 x 6	8	3000-3500	3750-4375	76-89	458	71	10	12	10	14†
	PRINCE	30"	9 x 6	8	3500-4000	4375-5000	89-102	518	66	10	12	10	14†
	QUEEN	30"	10 x 6	8	4000-4500	5000-5625	102-114	518	66	10	12	10	14†
	KING	30"	12 x 6	8	5000-5500	6250-6875	127-140	518	66	10	12	10	14†
	KING II	30"	15 x 6	8	5800-6900	7200-8600	146-175	518	66	10	12	10	14†
	ACE I	36"	12 x 7	9	6000-7000	7500-8750	152-178	565	60	1/4" poly	12	10	14†
	ACE II	36"	15 x 7	9	7500-8500	9375-10,625	190-216	565	60	1/4" poly	10	10	14†
	MONARCH	42"	14 x 9	10	10,000-12,000	12,500-15,600	254-309	630	56	1/4" poly	10	10	14†
TITAN	TITAN 10	42"	14 x 9	10	10,000-12,000	12,500-15,600	254-305	630	56	1/4" poly	10	1/4"	12†
	TITAN 15	42"	10 x 9 (2)	10	15,000-17,000	18,750-21,250	381-432	630	56	1/4" poly	10	1/4"	12†
	TITAN 20	42"	13 x 9 (2)	10	20,000-23,000	25,000-28,750	508-584	630	56	1/4" poly	10	1/4"	12†
	TITAN 25	42"	16 x 9 (2)	10	25,000-28,000	31,250-35,000	635-711	630	56	1/4" poly	10	1/4"	12†
	TITAN 30	42"	14 x 9 (3)	10	30,000-35,000	37,500-43,750	672-889	630	56	1/4" poly	10	1/4"	12†
	TITAN 40	42"	14 x 9 (4)	10	40,000-45,000	50,000-56,250	1016-1143	630	56	1/4" poly	10	1/4"	12†
	TITAN 50	42"	14 x 9 (5)	10	50,000-55,000	62,500-68,750	1270-1397	630	56	1/4" poly	10	1/4"	12†

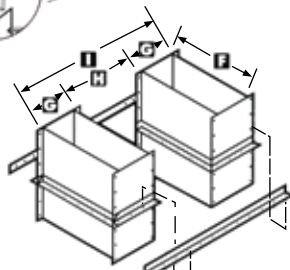
*All 14 gauge over 50'. **All 14 gauge over 80'. ***All 14 gauge over 100'. † Heavier gauge available as optional. All capacities rated using Sweetheart™ Steel Buckets. Capacity ranges are based on 75%-90% bucket fill. Optional plastic elevator buckets available. ‡ 65 lbs/ft³



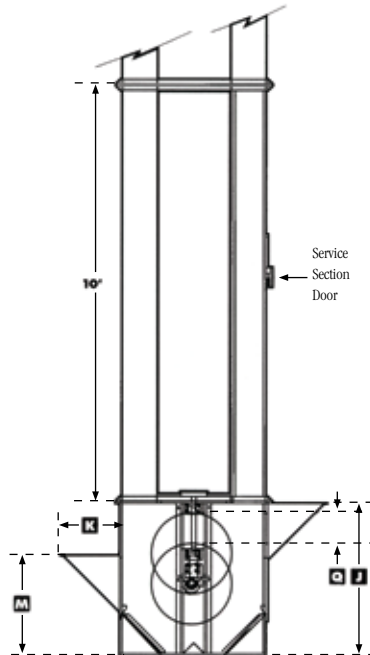
Alternate Discharge (45° Discharge Standard on Titan)



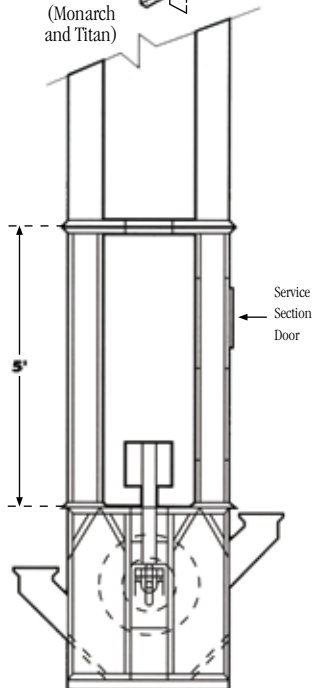
Bantam II Through Ace II



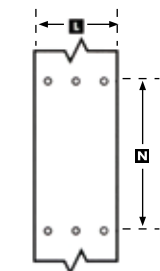
(Monarch and Titan)



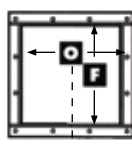
Dimensions are approximate to the nearest whole inch and are subject to change without notice.



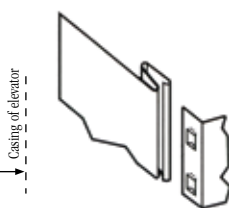
Boot Gravity Take-up (Titan Series)



Belt Dimensions and Bucket Spacing



Discharge Flange Assembly



16 gauge and 14 gauge Lockseam Trunking

Options For Bucket Elevators



Head Service Platform



Cage and ladder



Double 8" Bolted Access Panel



Explosion Relief Panel-Trunking

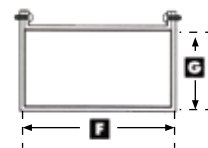


Explosion Relief Panel-Head

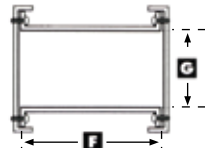


Boot Gravity Take-up

Alternate Construction For Bucket Elevator Trunking



Aristocrat Bolted Trunking



Titan Bolted Trunking

MOVING INTO THE NEXT GENERATION

BUCKET ELEVATORS




MANUFACTURING COMPANY

Telephone 937-325-1511
Fax 937-322-1963
Toll Free 1-800-334-7254

Website: www.sweetmfg.com
E-mail: sales@sweetmfg.com


The Governor's Excellence
in Exporting Award

MEMBER OF


P.O. Box 1086
Springfield, OH 45501