



**Purifier Norit**  
MQRH.

NOVAPRIME 32 CGG 6000  
**BÜHLER**

# Fine-tuning a proven machine. **Bühler's new Purifier Norit.**

Sometimes very little is necessary to make something good great. The all new and improved purifier Norit MQRH builds on the success of the Puomat MQRF that has proven itself over the decades.

Its function and basic principle with three sieve decks have markedly contributed to the success of numerous flour and semolina producers around the globe. While the core functionality remains the same, operability, sanitation, and maintenance have markedly improved.

## **Delivering high yields.**

Norit is applied in the purification and grading of semolina and middlings in wheat, durum and corn (maize) mills. Its high separation efficiency makes for an ideal product distribution and thus highest yields of white flour or semolina for pasta production.



Pure semolina for highest quality standards.

### **Benefits**

- High yields of flour or semolina
- Hygienic production
- Maximum runtime
- Configurable to your requirements





# Hygienic production. **Food safety newly defined.**



## **Designed for safe food.**

The purifier Norit fulfills rigorous international food standards (FDA, Directive 10/2011/EC). The newly designed housing and inlet support a smooth product flow. All parts in contact with the product are made of stainless steel or other food safe materials to ensure process and product safety. Easy access enables convenient cleaning, thus allowing the machine's high level of sanitation to be maintained. Covers close the machine and ensure that no foreign product can enter the process. The absence of losable parts including felt seals inside the machine underpins the stringent food safety concept of the machine.

## **NovaPrime.**

Norit is equipped with the proven Bühler NovaPrime sieve cloth. Made of polyamide (PET) plastic yarn, it provides highest accuracy in terms of mesh size and uniformity over time. Just what you need to extract purest semolina in your daily operation.

# Maximum runtime. Easy operation and maintenance.

Norit's design and operating elements ensure easy adjustment of the process parameters such as the air flow. Product specific adjustments can be done quickly and conveniently - no tools required. The bright LED lighting supports visual checks of product and process inside the machine.

Two optimally aligned vibrating motors provide the required oscillation for the product to flow evenly over the complete sieve area. The three-stacked purifier sits on a base with only three legs. This reduces the amount of rubber springs and thus maintenance. Wear detection can be done visually without production interruption. Maintenance has generally been simplified by making all the springs identical and easily accessible.



 Rubber springs     Wear indication



# The perfect fit for your plant. **Configurable to your requirements.**

Norit is available as single and double version with different mesh sizes. The new design of the double machine ensures optimal access to both machines. A rail around the upper machines provides guidance for a ladder which can be placed 360° around the machine. Since no support structure is needed, the lower machine can be accessed without obstacles.

## Options:

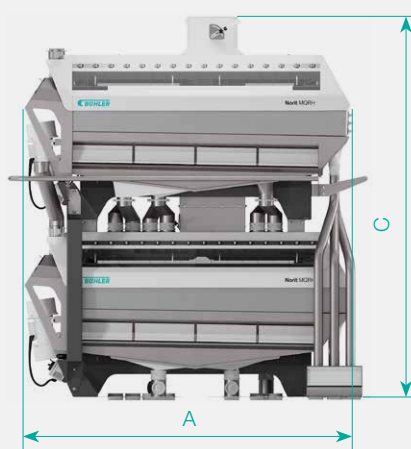
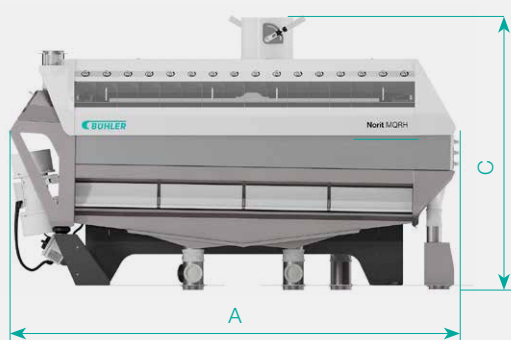
- ATEX, UL
- Preparation for through spouts (single machine)

## Performance data

- Performance up to 1.5 t/h (1/2 machine)
- 3 sieve decks
- Sieve area: 460 mm x 2000 mm per sieve deck equipped with NovaPrime



# Purifier Norit. Technical Specifications.



## Dimensions

A	mm
B	mm
C	mm

## MQRH-46/200

A	2641
B	1232
C	1583

## MQRH-46/200 D

A	2641
B	1680
C	3089

## Weight\*

Idle Weight	kg
Operational Weight	kg

Idle Weight	1000
Operational Weight	1020

Idle Weight	2250
Operational Weight	2290

\*Approximate weight not including packing for air, sea or rail.

en 0619 192018 Z&B

## **Bühler AG**

CH-9240 Uzwil  
Switzerland

T +41 71 955 11 11  
F +41 71 955 66 11

[buhlergroup.com/norit](http://buhlergroup.com/norit)