



Diorit Roller Mill MDDY/Z

Version 2019

Constant monitoring. Ensuring product and process safety.

To mill various types of grain into high-quality flour, roller mills need to keep pace with the growing demands for hygiene, throughput, efficiency and low running costs.

Bühler's Diorit four or eight-roller mill consistently and safely grinds wheat, corn, rye, barley, spelt and other grains. Diorit 2019 is ready for the digital age. State-of-the-art machine control, mobile access and an intuitive user interface make the roller mill more efficient than ever before.

First-class milling performance

The sturdy, durable, cast-iron machine frame provides the ideal base for high grinding performance in 24-hour continuous operation. The wide inlet and the variable speed of the feeding unit ensure even product distribution across the entire length of the grinding roller. The compact roller package with self-contained forces achieves a high degree of grinding stability. Contributing to consistent product quality.

Hygienic design

All parts of the Diorit roller mill that come into contact with the product are made from stainless steel or other food-grade materials. Lockable covers safeguard access to the machine and ensure that no contamination is able to make its way into the roller mill. The feeding module permits complete product discharge and easy access for cleaning.



Safety is paramount. For product and process.

State-of-the-art process safety

For constant and reliable operation of the roller mill, seamless monitoring is indispensable. Diorit's modern sensor technology ensures that the rollers are always ideally positioned and running at optimal speed.

Integrated monitoring of the roller disengagement prevents the rollers from running against each other if there is no product present. The speed monitoring of the rear roller controls the belt transmission. Optional monitoring of the roller and bearing temperature immediately stop the drive and triggers an alarm.

Benefits

- First-class milling performance
- Easy operation and maintenance
- Maximum safety
- Universal application
- Leading-edge control system



Diorit provides first class grinding performance and an efficient operation. Its new control system provides for an absolutely easy operation. State of the art sanitation and safety features make it the ideal roller mill for various products and applications.

Diorit 2019 is optimized for **more convenience and flexibility.**

Easy operation and maintenance

Diorit is engineered for an ergonomic and easy operation. From the handles and the swing-out feed module to the Quick Pack roller package. Everything is designed for straightforward interaction, keeping uptime at a maximum. Thanks to a 30 mm higher grinding chamber door, sampling is more convenient and faster than ever.

Leading-edge control system

Diorit's new control is characterized by its adaptability, ease of use and flexibility. The web server of the new machine control allows monitoring and operation of the roller mill from different devices, including smartphones, tablets and PCs. You decide how you wish to interact with your roller mills. The integrated touch screen on the Diorit is no longer necessary but available as an option.



Wireless plant connection
Access through smartphone and tablet

Remote connection
Access through plant computer

Local connection
Two integrated touch panels



MDDZ-1250/250

Passage 1.Aa Passage 1.Aa

IPv4: 172.16.11.71
Type: MDDY Four-RM Diorit
Name: MDDZ-1250/250
Passage S1: 1.Aa
Passage S2: 1.Aa
Machine No.: 700024193
Floor No.: 1

Identify Machine

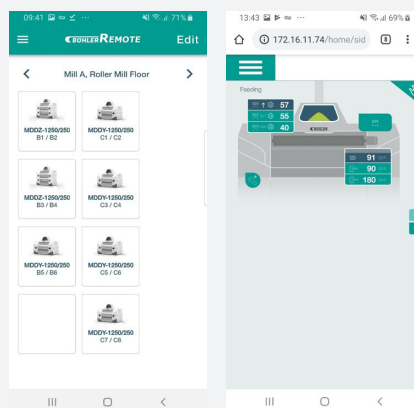
Intuitive graphical user interface. **On the roller mill and any mobile device.**



The Diorit user interface is intuitive and easy to use. All operating parameters can be set directly on the Diorit touch screen.

Bühler remote app

The Bühler remote app enables access to the machines from mobile devices via the mill's internal wireless network. You will be guided through the initial set-up where it is possible to arrange the machines according to your plant layout. By selecting a roller mill, the app connects to the control system and the user interface is displayed. All functionalities of the control system are available also on the app.



Bühler's new Diorit. Better configurable to your needs.

Diorit is available as a four and eight-roller mill in lengths from 600 mm to 1500 mm, and with a roller diameter of 250 and 300 mm. The four-roller mill with a roller length of 600 millimeters is now also available as a split version. This enables grinding of four different passages on just one roller mill.

Together with different product inlets, scrapers, rollers and other options, customized performance requirements can be met.

Options

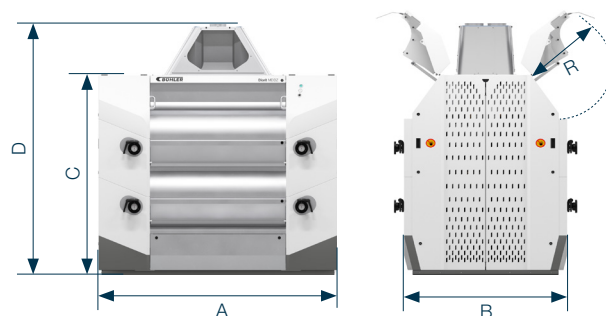
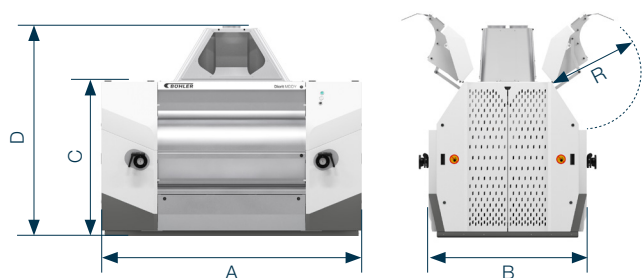


Technical data

Type	Roller diameter (mm)	Roller length (mm)	Dimensions (mm)					Weight (kg)	Volume (m³)
			A	B	C	D	R		
Four-roller mill	250	600	1570	1336	1318	1793	650	2450	7,5
Four-roller mill	250	1000	1970	1336	1318	1793	650	2900	8
Four-roller mill	250	1250	2220	1336	1318	1793	650	3400	8
Four-roller mill	250	1500	2470	1336	1318	1793	650	3900	8,5
Four-roller mill	300	1000	1970	1536	1322	1796	672	3400	8,5
Four-roller mill	300	1250	2220	1536	1322	1796	672	3950	9,5
Eight-roller mill	250	1000	1970	1336	1858	2333	650	5100	9
Eight-roller mill	250	1250	2220	1336	1858	2333	650	5900	9,5
Eight-roller mill	250	1500	2470	1336	1858	2333	650	6500	9,5

Diorit four-roller mill MDDY

Diorit eight-roller mill MDDZ





Bühler AG

CH-9240 Uzwil
Switzerland

T +41 71 955 11 11
F +41 71 955 66 11

buhlergroup.com

Brochure Diorit Roller Mill MDDY/Z en 08/19