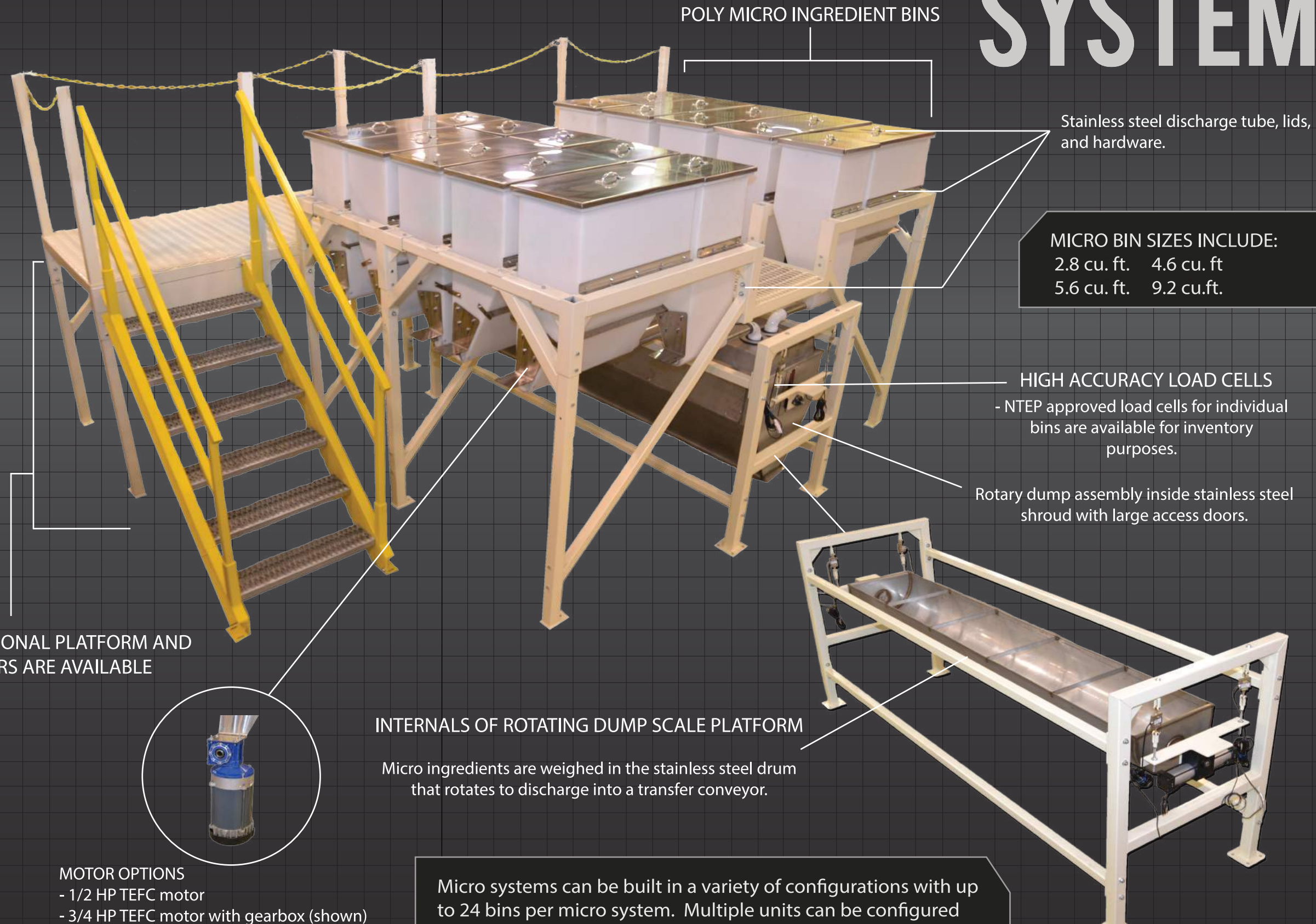
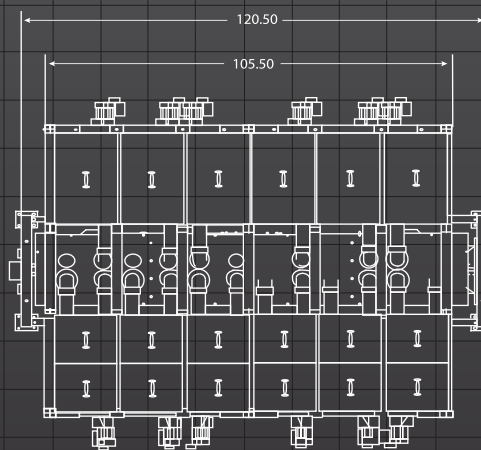
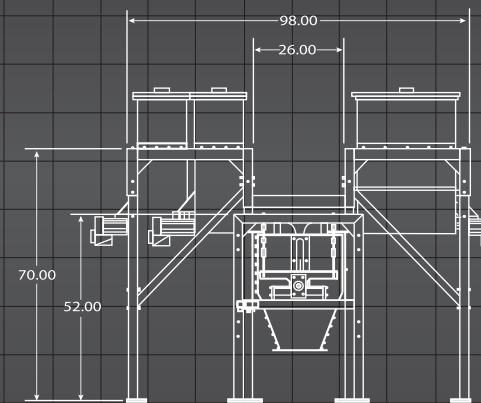
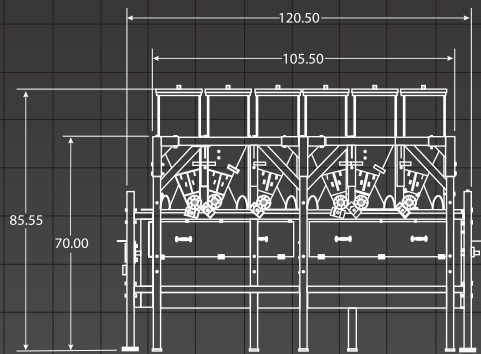


ROTARY DUMP MICRO INGREDIENT SYSTEM

STANDARD DIMENSIONS



POLY MICRO INGREDIENT BINS

Stainless steel discharge tube, lids, and hardware.

MICRO BIN SIZES INCLUDE:

2.8 cu. ft.	4.6 cu. ft.
5.6 cu. ft.	9.2 cu.ft.

HIGH ACCURACY LOAD CELLS
 - NTEP approved load cells for individual bins are available for inventory purposes.

Rotary dump assembly inside stainless steel shroud with large access doors.

OPTIONAL PLATFORM AND STAIRS ARE AVAILABLE

INTERNALS OF ROTATING DUMP SCALE PLATFORM

Micro ingredients are weighed in the stainless steel drum that rotates to discharge into a transfer conveyor.



MOTOR OPTIONS

- 1/2 HP TEFC motor
- 3/4 HP TEFC motor with gearbox (shown)
- 3/4 HP explosion proof motor

Micro systems can be built in a variety of configurations with up to 24 bins per micro system. Multiple units can be configured for an infinite number of micro ingredient bins.